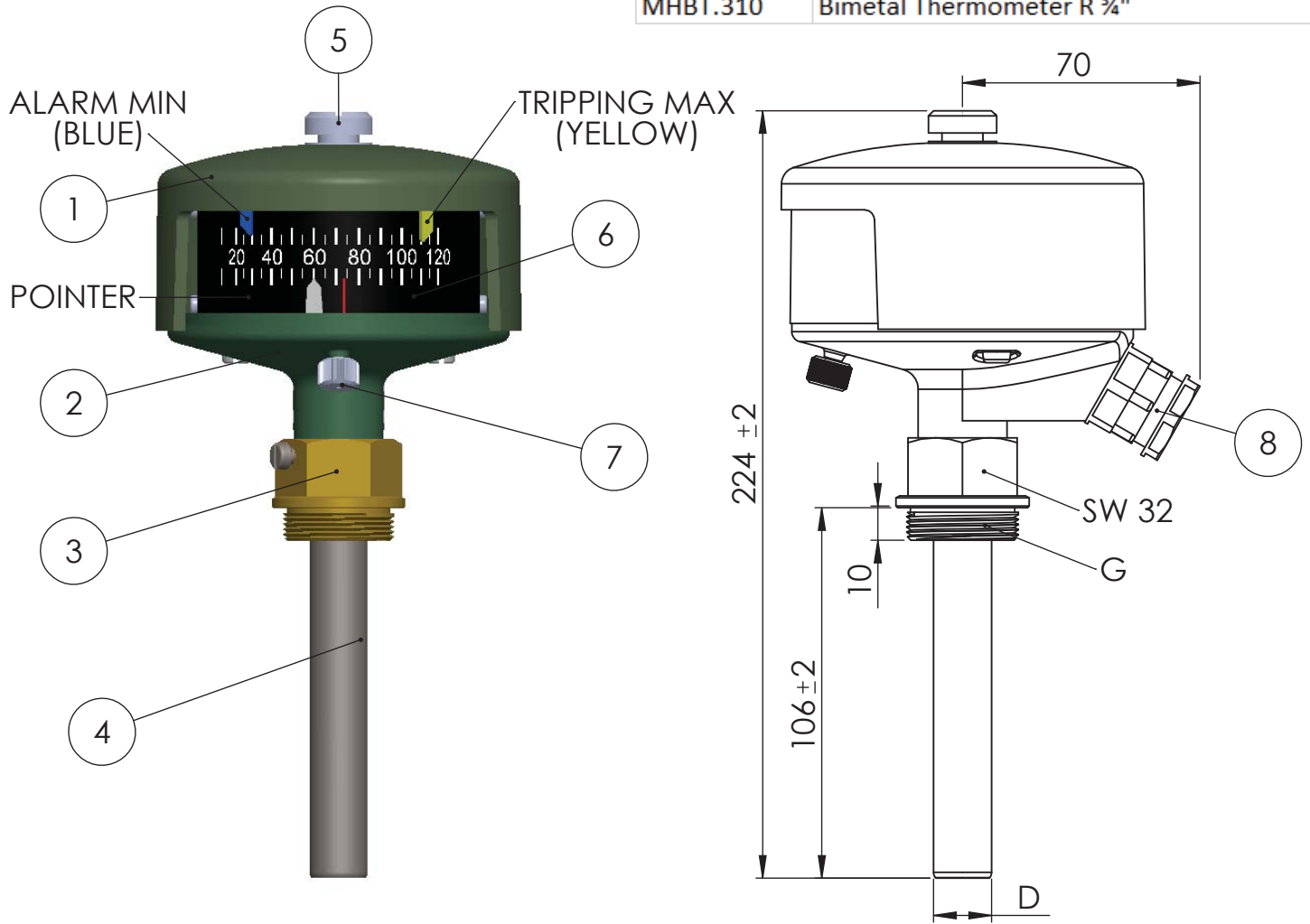


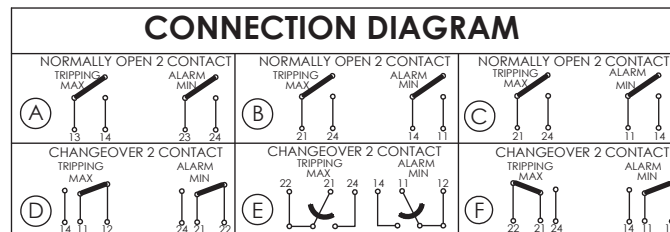
Product Code	Description
MHBT.110	Bimetal Thermometer R ½"
MHBT.210	Bimetal Thermometer R 1"
MHBT.310	Bimetal Thermometer R ¾"



THE ORDERED BI-METAL THERMOMETER İS:

D.T.	C.D.	C.S.

DIMENSION TABLE		
TYPES	G	Ø D
(A) TEK14	1/2"	15
(B) TEK16	1"	17
(C) TEK16*	3/4"	17



COLOUR SCALE	
(A)	RALL 7033
(B)	RALL 7032
(C)	RALL 7035
(D)	RALL 7001

***IP55, ACCUARY: ± 5°C

Num./ No.	Adet/ Q'ty	Tanımlama/Description	Açıklama/Explanation
1	1	Kapak/Top Cover	ALU
2	1	Gövde/Body	ALU
3	1	Bağlantı elemanı/Connector	MS58
4	1	Boru/Tube	STAINLESS STEEL
5	1	Kapak Sabitleyici Somun/Cover Fixing Nut	MS58
6	1	Skala/Scale	ALU
7	1	Ayar Somunu/Setting Nut	MS58
8	1	Rakor/Connector	PG16, STAINLESS STEEL