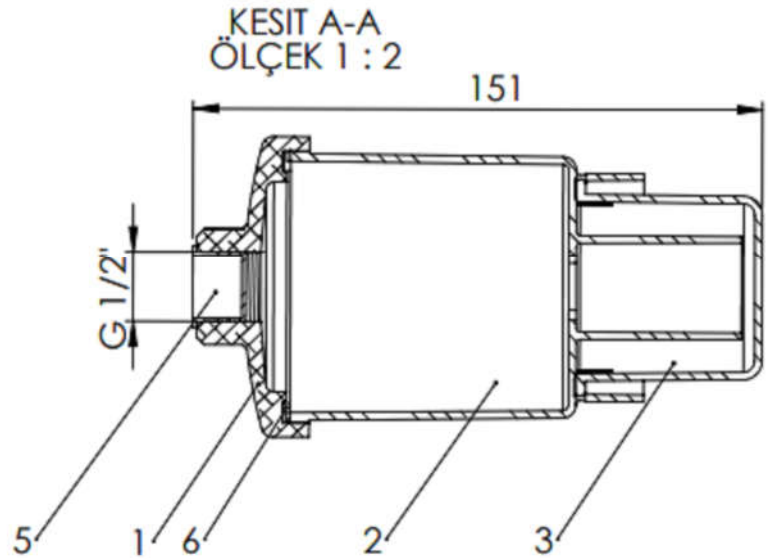
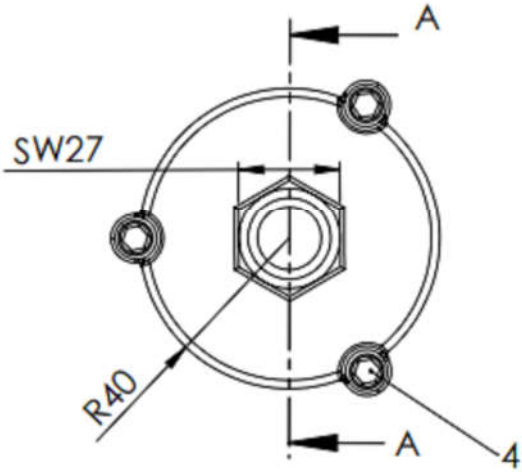


**MOISTURE HOLDERS DIN 42567 / EN 50216-5 - Form E / 0.15 kg**

Type	Code No
0.15 Kg FORM E	601


**COMPONENT LIST**

No:	Piece	Description	Explanation
1	1	Cap	AL
2	1	Plastic top body	Polycarbonate
3	1	Plastic bottom cap	Polycarbonate
4	3	Screw	M6x16 Stainless Steel
5	1	Plug	PVC