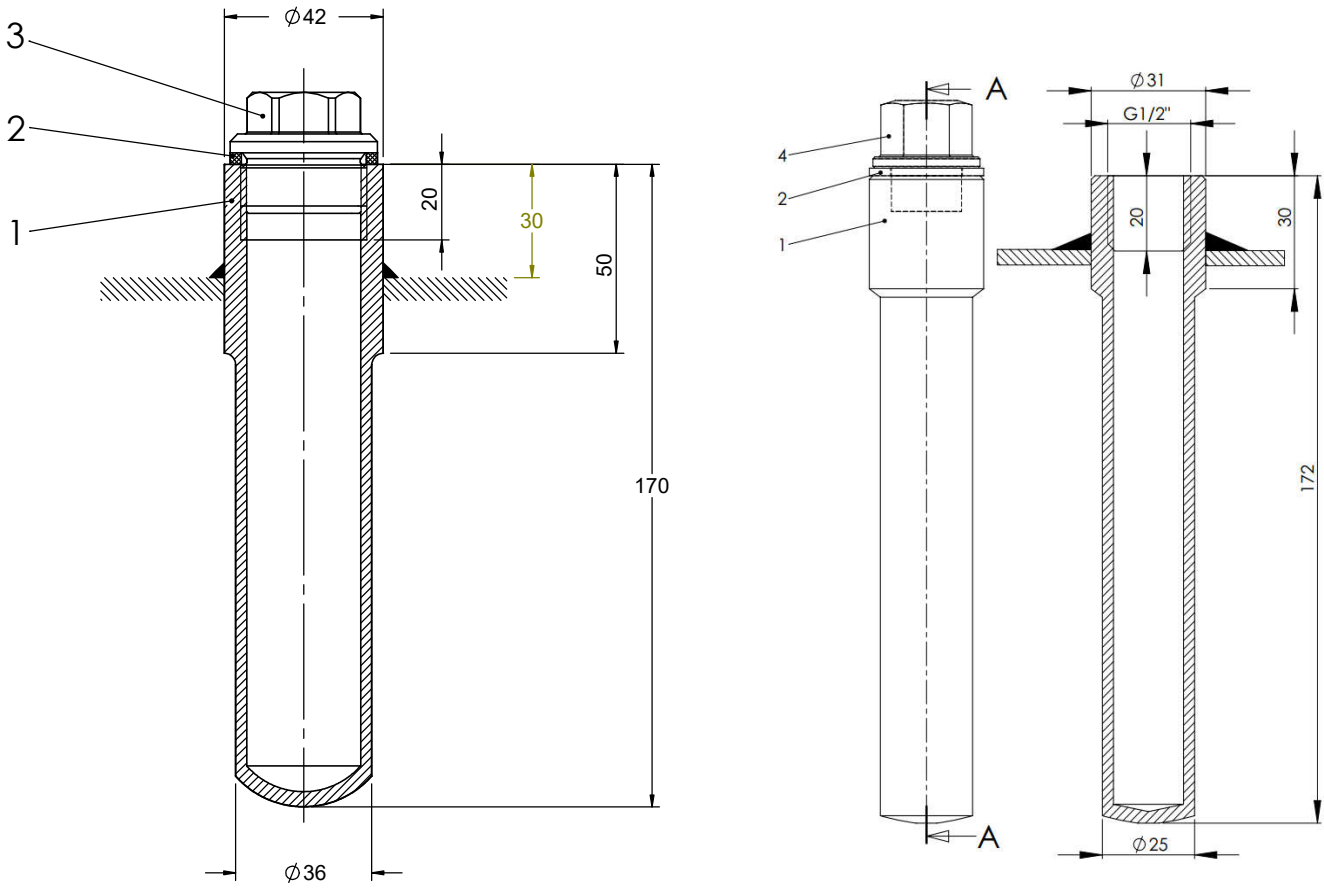


THERMEMOTER POCKET- DIN 42554

Termometre Cebi G1" - G1/2"



The Thermometerpocket is in accordance with EN 50216-4:2002 Typ A1

Thermometer Pocket / Termometre Cebi

No.	Q'ty	Description	Norm	Remarks
1	1	Pocket / Cep	DIN 42554	St37-2
2	1	Gasket / Conta	DIN 42554	Klingrite gasket / conta
3	1	Plug / Tapa	DIN 42554	Gal. Zn
4	1	Plug / Tapa		PVC

Code No	Diameter	Norm
MH.39102	G1"	DIN 42554
MH.49102	G 1/2"	