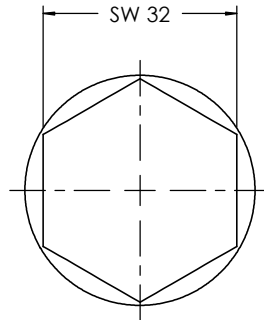
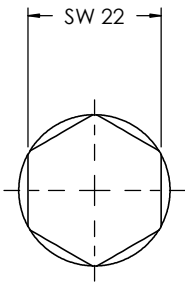
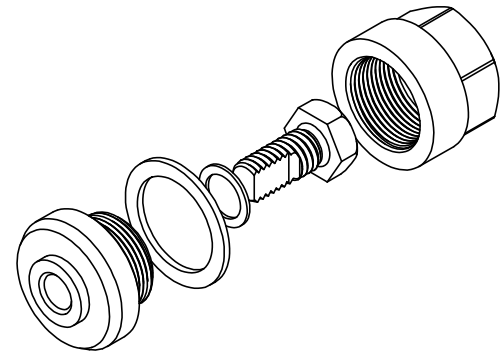
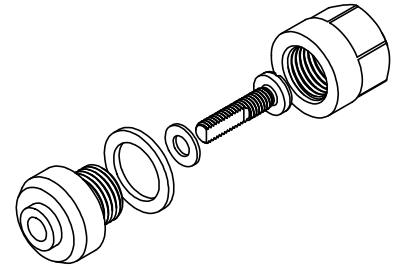
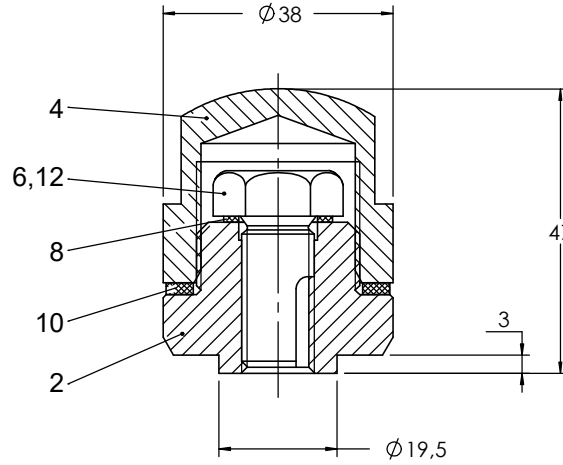
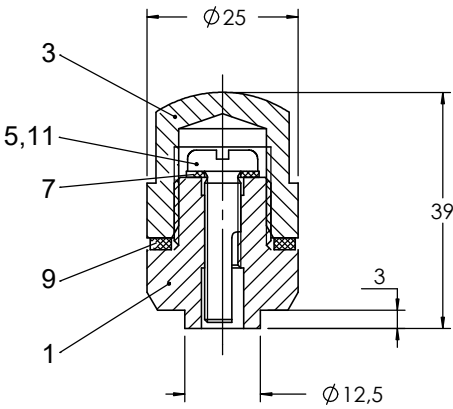


Locking piece - DIN 42558 for Air Vent and Oil Drain
Hava Alma Ventili - Din 42558

DIN 42558 size 6

DIN 42558 size 12



Size 6-12 are for air vent.
Size 6A-12A are for oil drain.

PART LIST						
Item	Qty for size				Designation	Remarks
	6	6A	12	12A		
1	1	1	-	-	Body / Gövde	11 SMn 30 / St 37
2	-	-	1	1	Body / Gövde	11 SMn 30 / St 37
3	1	1	-	-	Cap / Kapak	Gal. zn.
4	-	-	1	1	Cap / Kapak	Gal. zn.
5	1	-	-	-	Screw / Civata	M6x25 gefr. ; Gal. Zn.
6	-	-	1	-	Screw / Civata	M12x25 gefr. ; Gal. Zn.
7	1	1	-	-	Conta / Gasket	PA 6
8	-	-	1	1	Conta / Gasket	PA 6
9	1	1	-	-	Conta / Gasket	PA 6
10	-	-	1	1	Conta / Gasket	PA 6
11	-	1	-	-	Screw / Civata	DIN 85 M6x25 ; Gal. Zn.
12	-	-	-	1	Screw / Civata	DIN 933 M12x25 ; Gal. Zn.

Code No	Size	Norm
MH.558.6	6	DIN 42558
MH.558.6A	6A	
MH.558.12	12	
MH.558.12A	12A	