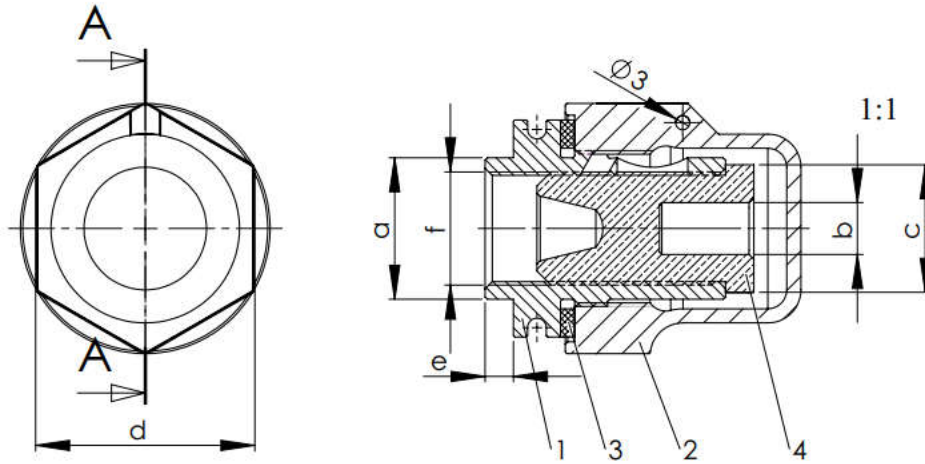
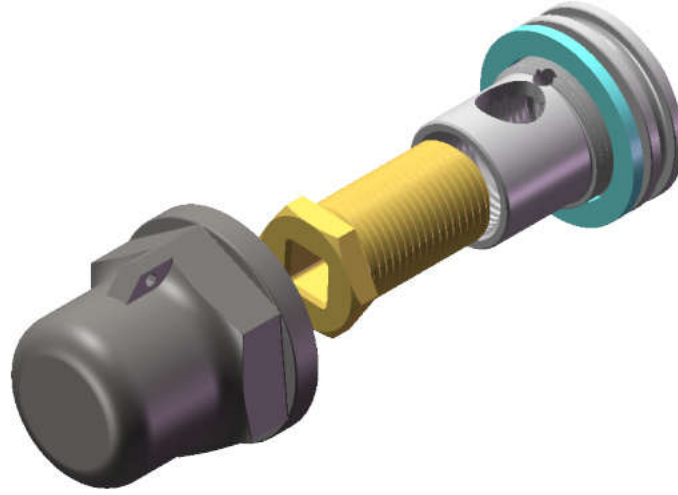


Oil draining devices - Din 42551 / Standart

Yağ boşaltma valfleri

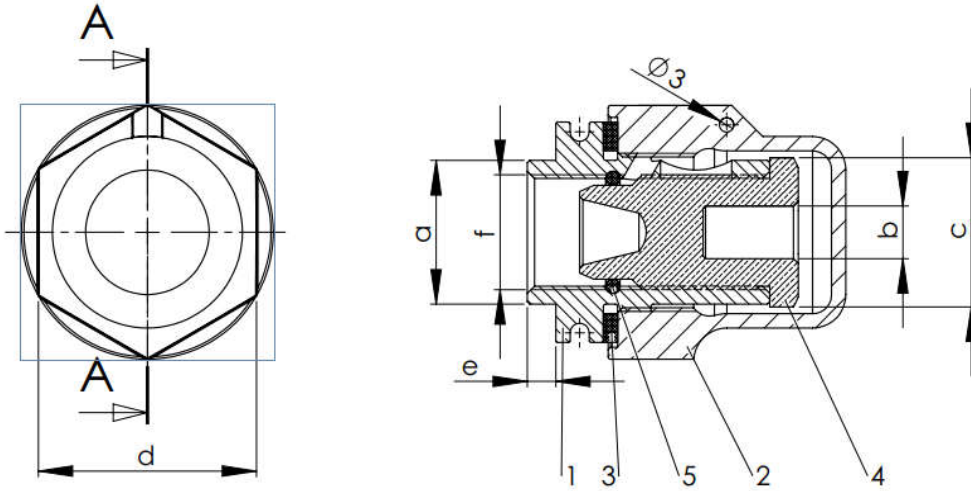
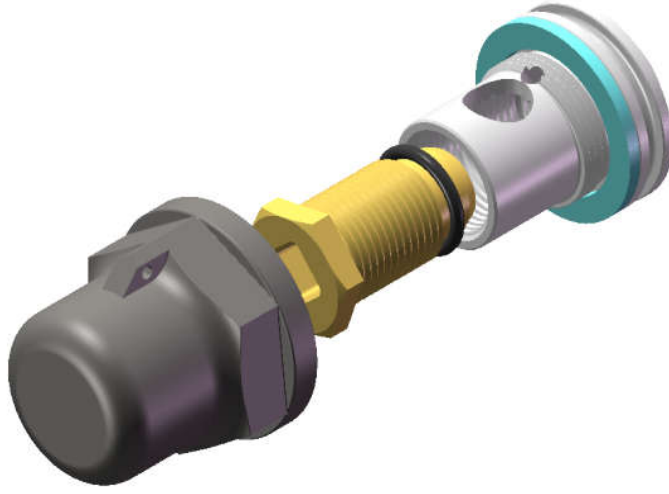


Part List			
Number	Qty	Description / Açıklama	Material / Materyal
1	1	Body / Gövde	S235JR
2	1	Stop plug / kapak	GG20
3	1	Gasket / conta	AFM39
4	1	Stop screw / kapama civatası	MS58

Nominal Width NW	a	For Threephase NW	b	c	d	e	f	Code
22	30	Up to 800 kVA	11	SW27	SW46	6	M24X1,5	5992-01
31	40	Above 800 to 1600 kVA	17	SW36	SW65	10	M32X1,5	5993-01
40	52	Above 1600 kVA	17	SW46	SW80	10	M42X1,5	5994-01

Oil draining devices - Din 42551 / Oring

Yağ boşaltma valfleri - Oringli

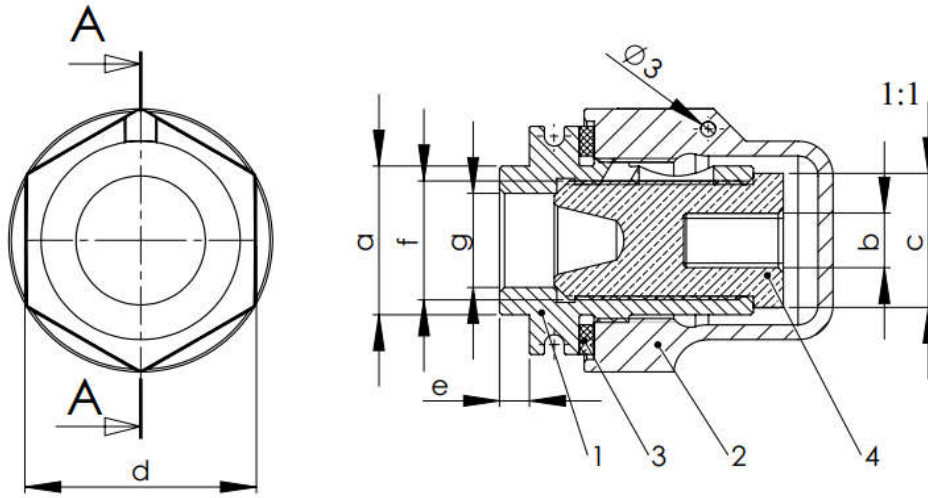
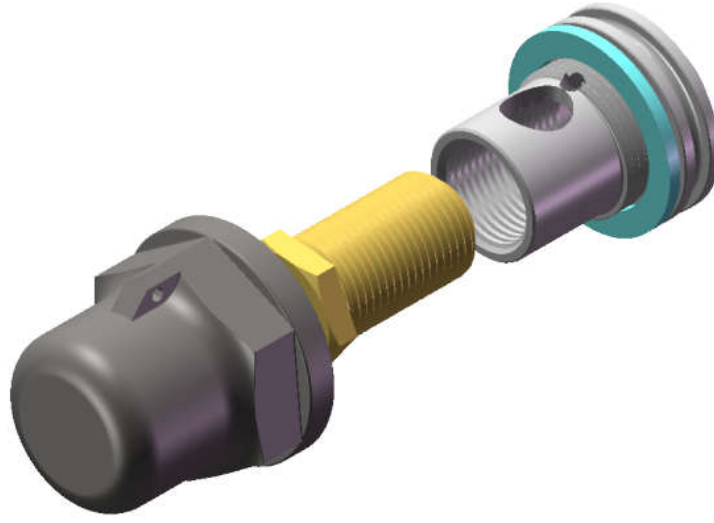


Part List			
Number	Qty	Description / Açıklama	Material / Materyal
1	1	Body / Gövde	S235JR
2	1	Stop plug / kapak	GG20
3	1	Gasket / conta	AFM39
4	1	Stop screw / kapama civatası	MS58
5	1	Oring	Nbr70

Nominal Width NW	a	For Threephase NW	b	c	d	e	f	Code
22	30	Up to 800 kVA	11	SW27	SW46	6	M24X1,5	5992-10
31	40	Above 800 to 1600 kVA	17	SW36	SW65	10	M32X1,5	5993-10
40	52	Above 1600 kVA	17	SW46	SW80	10	M42X1,5	5994-10

Oil draining devices - Din 42551 / Conic

Yağ boşaltma valfleri



Part List			
Number	Qty	Description / Açıklama	Material / Materyal
1	1	Body / Gövde	S235JR
2	1	Stop plug / kapak	GG20
3	1	Gasket / conta	AFM39
4	1	Stop screx / kapama civatası	MS58

Nominal Width NW	a	For Threephase NW	b	c	d	e	f	Code
22	30	Up to 800 kVA	11	SW27	SW46	6	M24X1,5	5992-01-K
31	40	Above 800 to 1600 kVA	17	SW36	SW65	10	M32X1,5	5993-01-K
40	52	Above 1600 kVA	17	SW46	SW80	10	M42X1,5	5994-01-K